

It could be supplied speedily by Taiko Sangyo.

# Doors for repair ships



Steel make • Aluminum make • Stainless steel make  
**The hollow doors for accommodation in ship**

**The fire protection doors were passed the fire test code**  
 (part 3 of IMO FTP code).

Authorised by Japan, USA and EU

**TAIKO SANGYO CO.,LTD.**

## PURCHASE ORDER SHEET

Please use the copy of this sheet.

We request you to manufacture the door of marine use according to the following Specification.

Contact Company  
**TAIKO SANGYO CO., LTD.**  
 E-mail : [info@taiko-jpn.com](mailto:info@taiko-jpn.com)  
 FAX +81-848-44-5779

SHIP'S NAME:  
 DELIVERY TIME:  
 DELIVERY PLACE:

PURCHASER: COMPANY NAME  
 ADDRESS  
 TEL  
 CONTACT PERSON'S NAME

FAX

DATE

No.	1 Kind of door	2 Material	DK.	Fitting location	3 Dimensions			4 Frame type		5 Opening direction	6 Others			Quant.	Remarks	
					W×H×C.H	D	H.H	④ Lock	⑤ with or without Window		⑥ Final color	⑦ Self-closing device	⑧ Classification Society - Port of Registry			
1		SS AL SUS						1 3 9	2 4	R.O L.O R.I L.I	④-A ④-B ④-C	w · w/o	1. white 2. 3.	⑦ P or S		
2		SS AL SUS						1 3 9	2 4	R.O L.O R.I L.I	④-A ④-B ④-C	w · w/o	1. white 2. 3.	⑦ P or S		
3		SS AL SUS						1 3 9	2 4	R.O L.O R.I L.I	④-A ④-B ④-C	w · w/o	1. white 2. 3.	⑦ P or S		
4		SS AL SUS						1 3 9	2 4	R.O L.O R.I L.I	④-A ④-B ④-C	w · w/o	1. white 2. 3.	⑦ P or S		
5		SS AL SUS						1 3 9	2 4	R.O L.O R.I L.I	④-A ④-B ④-C	w · w/o	1. white 2. 3.	⑦ P or S		
Example	①-B-C	SS AL SUS	UPP.	Entrance door to accommodation	800×1700×200	200	700	1 ③ 9	2 4	① R.O L.O ② R.I L.I	④-A ④-B ④-C	⑤ w · w/o	⑥ 1. white 2. 3.	⑦ w · w/o ⑧ P or S	1	scuttle

\*If you need our maked door, please refer to the above Example and describe the every item on the columns of the Purchase Order Sheet, and order by Fax or E-Mail us.  
 \*Regarding price, please inquire by Fax or E-Mail us.

### Payment Address

the Onomichi-ekimae branch of the Bank of  
 Cyugoku the number of current deposit 1735  
 In case of Post Office  
 The account number 01330-1-93661 member's name Taiko Sangyo Co.,Ltd.

### Contact address

**TAIKO SANGYO CO., LTD.**

Head Office • Main Factory  
 9515-1 Mukashima-cho, Onomichi-shi,  
 Hiroshima, Japan  
 TEL. +81-848-44-5000 FAX. +81-848-44-5779  
 H.P. <http://www.taiko-jpn.com>  
 E-mail : [info@taiko-jpn.com](mailto:info@taiko-jpn.com)

### Agency

## 1. The kinds of doors

- Ⓐ Fire protection doors • A-60, A-0, B-15, B-0 and etc.  
(The doors were authorised by JG, NK, MED and etc.)
- Ⓑ Weathered door and Accommodation doors  
(C rating except fire protection door)

## 2. Materials

	Material	Finisher	Kind of door
SS	The thick. of door plate ; 0.8~1.6mm, Frame ; 1.6mm Galvanized steel plate	Baked enamel	Ⓐ or Ⓑ
AL	The thick. of door plate ; 1.5mm(A-5052) The Thick. of frame plate ; 1.5mm(A-5052)	Baked enamel	Ⓑ
SUS	The thick. of door plate ; 1.0mm stainless steel(SUS304) The thick. of frame plate ; 1.5mm stainless steel(SUS304)	Baked enamel	Ⓑ

## 3. Dimensions

**W** ..... The dimension of frame outside (Width)

**H** ..... The dimension of frame outside (Height)

**D** ..... The dimension of frame outside (Depth)

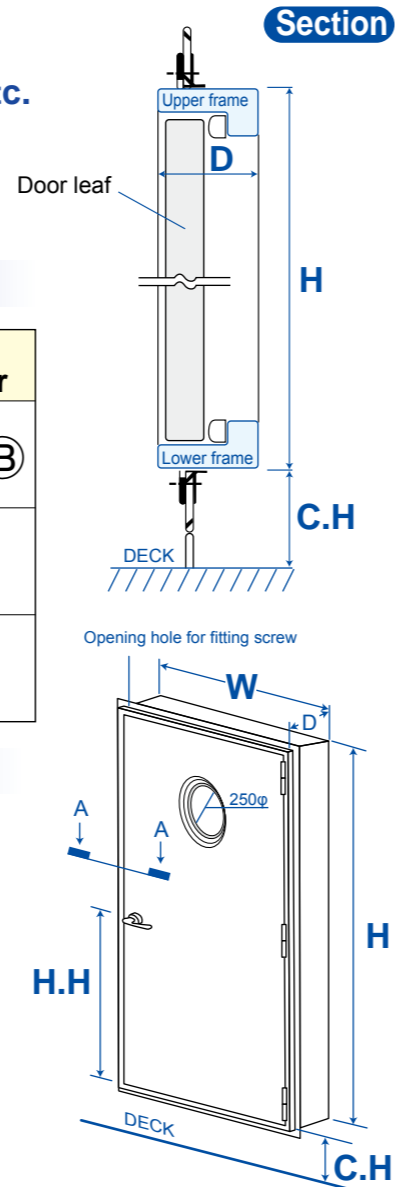
**H.H** ... The height of handle

※The dimension from the door leaf bottom to the center of the handle.

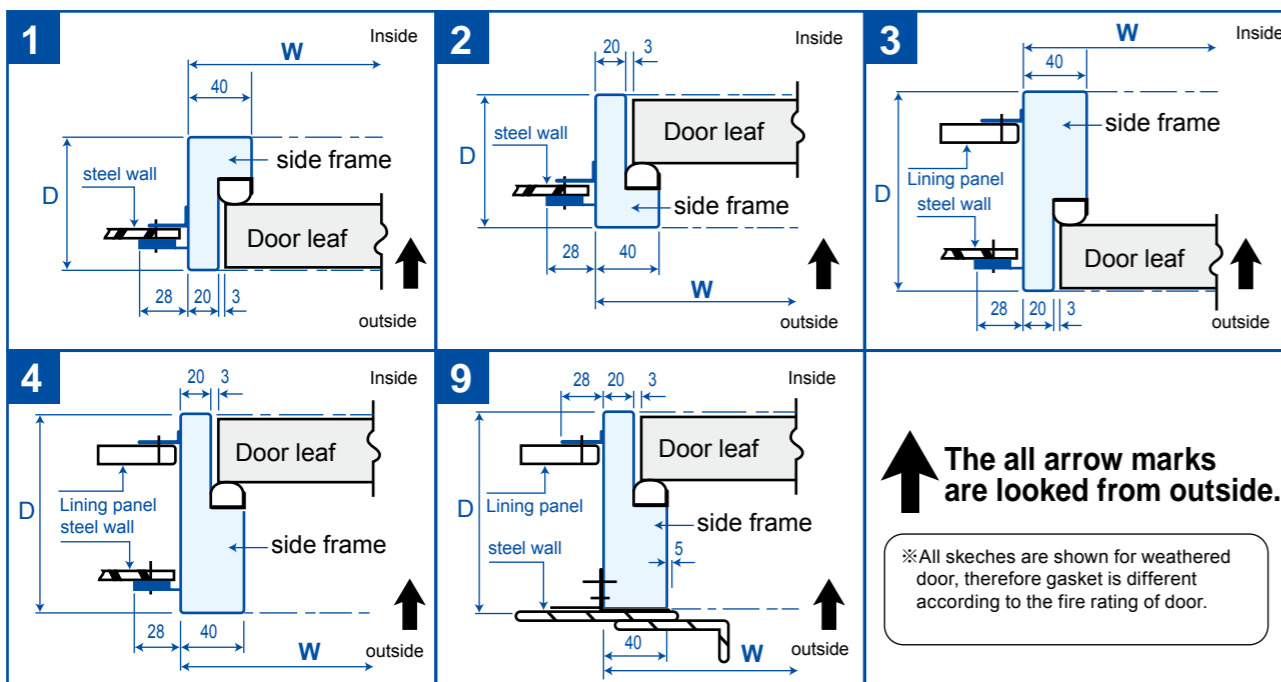
**C.H** ... The dimension of coaming (Height)

※The dimension from Steel deck to the bottom of frame

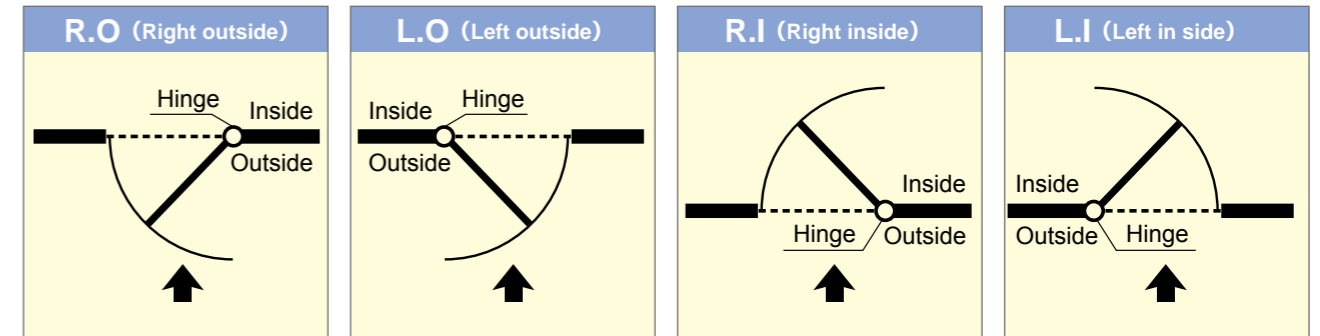
(Note) In case of door frame except the following sketches is to be indicated the dimensions of opening hole of steel wall.



## 4. Frame shape A-Section



## 5. Opening direction



↑ All opening directions are looked from outside

## 6. Others.

- Ⓐ Lock is to be chosen from the following specifications.

Ⓐ-A Lever handle with rod key

- Outside ; Rod key Inside ; Thumbturn
- Both sides ; Rod key

Ⓐ-B Lever handle with cylinder key

- Outside ; Cylinder key Inside ; Thumbturn
- Both sides ; Cylinder key

Ⓐ-C Lever handle with indicator lock

- Outside ; Indicator Inside ; Thumbturn
- ※Option ; It is possible to indicate the LOCK MAKER. Please contact us.



- Ⓑ Window If it is necessary to fit window on door, please contact us.  
※It is not fitted on fire protection door.

- φ250 scuttle
- In case of square or rectangular window, please indicate it.

- Ⓒ The finisher of door leaf and door frame

- baked enamel paint ※The paint color is to be chosen the number of the follows.

1	2	3
N9.5 (white)	10Y R7/2 ( beige )	2.5Y 8/2 (cream)

It is possible to finish with #400 polishing or hair line, please indicate on the remarks column in Purchase Order Sheet of next page.

- Ⓓ Self-closing device

It is delivered with parts. If it is necessary, please indicate on the Purchase Order Sheet.

- Ⓔ Classification Society-Port of Registry

In case of fire protection door, please indicate the Classification Society and the Port of Registry.

### Note

- ①The specification of products is our standard.
- ②Only door leaf or door frame could not be manufactured.
- ③We deliver with the complete condition of door, but not install to ship it by us.
- ④In case of export, please inform us the details.

